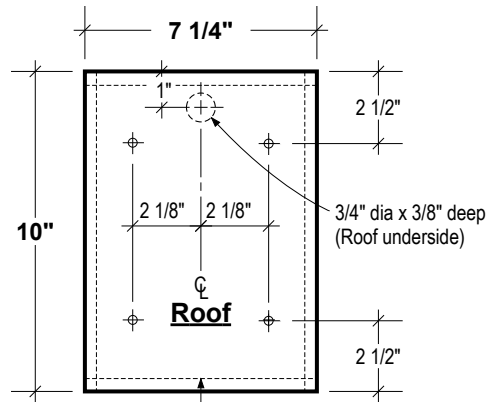
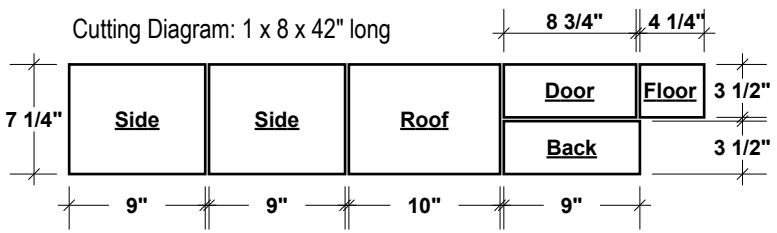
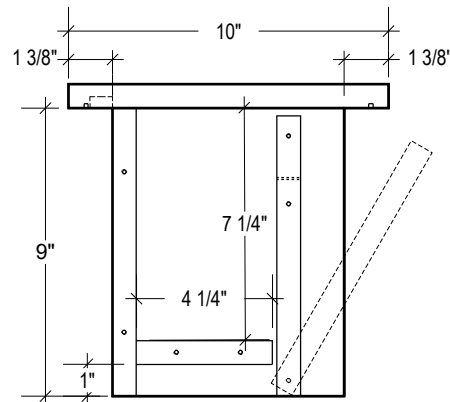


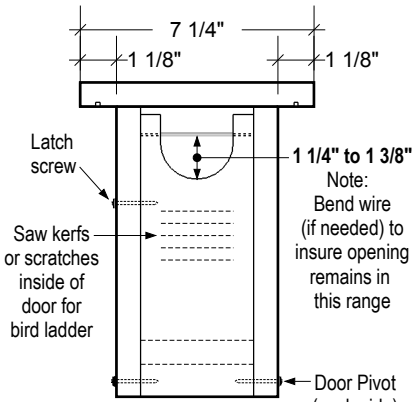
Note
For no table saw
fabrication, cut 3 1/2"
parts from 1 x 4



Saw kerfs on roof underside
1/2" in from edge x 1/8" deep



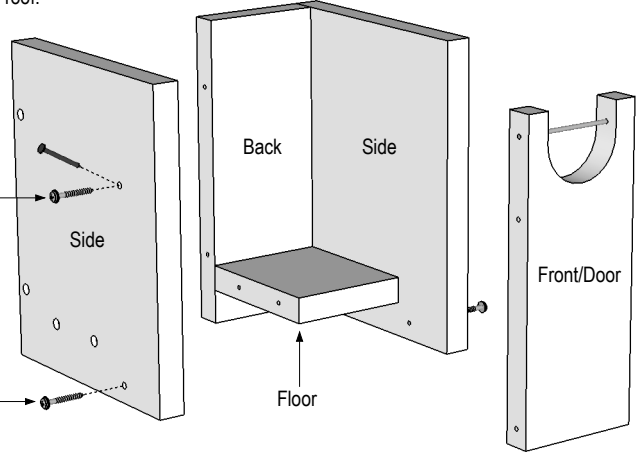
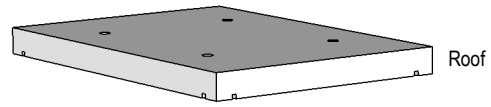
Side View



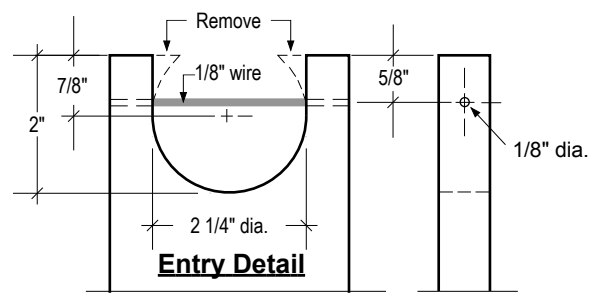
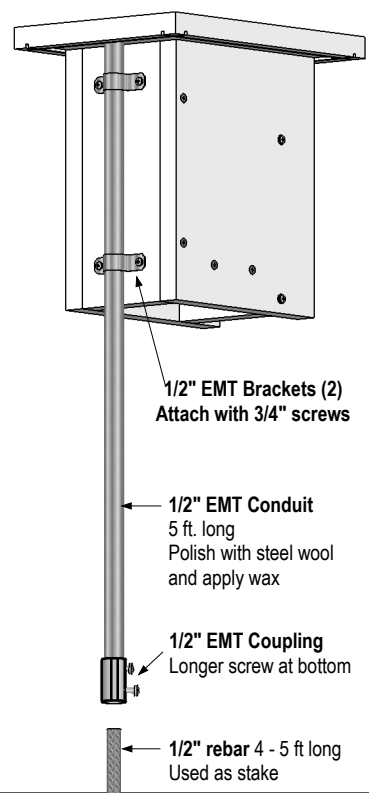
Front View

1 1/4" to 1 3/8"
Note:
Bend wire
(if needed) to
insure opening
remains in
this range

Apply caulk to top of
sides and to
top of back before
attaching roof.

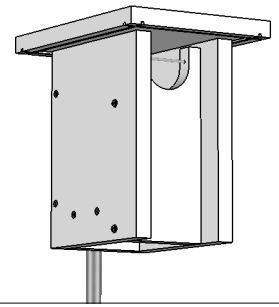


**Gilbertson Conduit/Rebar
Mounting System**



Entry Detail

Quan	Material
42"	1 x 8 (3/4" x 7 1/4")
14	#8 x 1 5/8" exterior wood screws
1	#8 x 1 5/8" Latch screw (or nail)
3 1/2"	1/8" dia. wire (or nail) for entry
1	Conduit/Rebar Mounting System



Gilwood
Bluebird Nestbox
designed by Steve Gilbertson - Aitkin, Mn